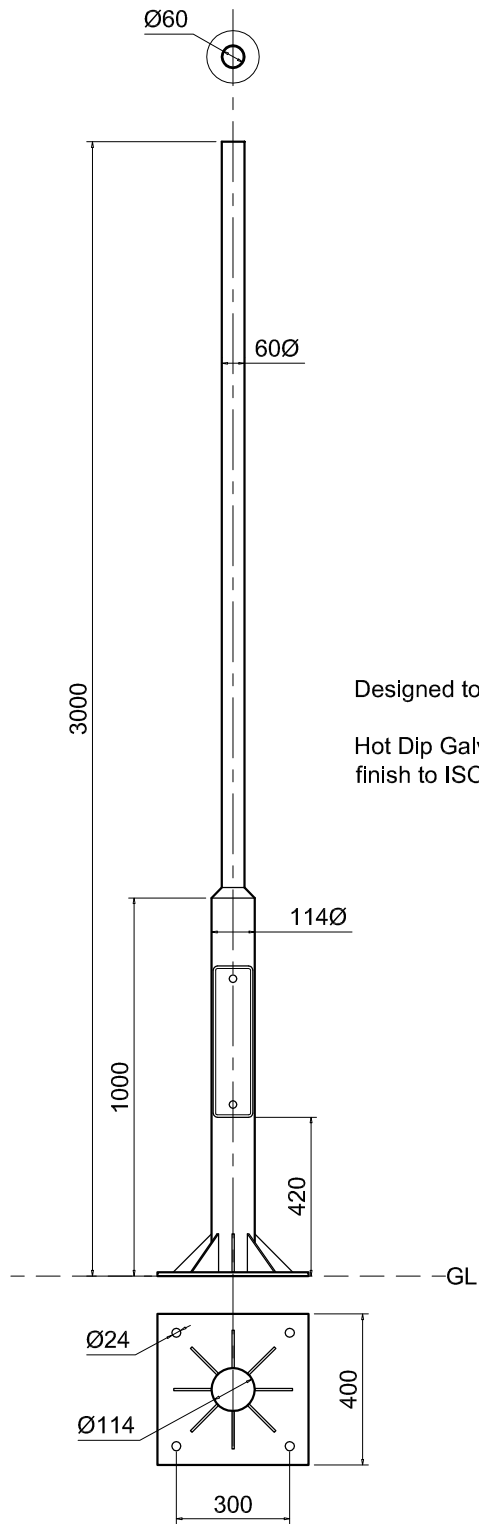


Tubular Column TFC3X60



Designed to ISO EN 40

Hot Dip Galvanized coated
finish to ISO EN 1461

